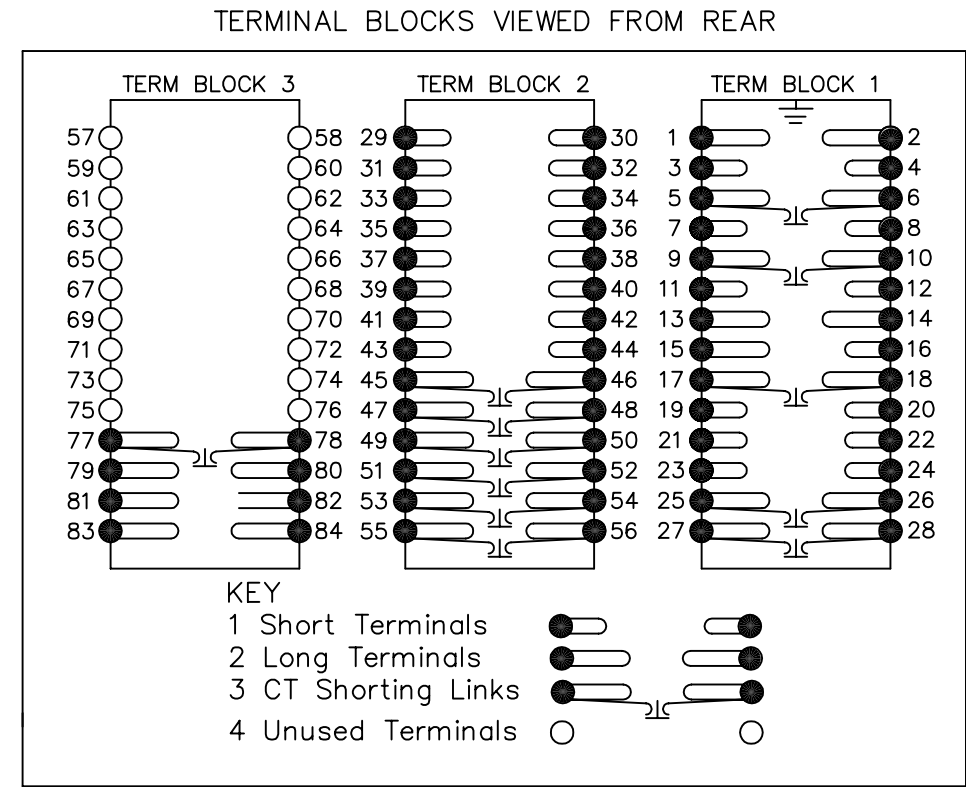
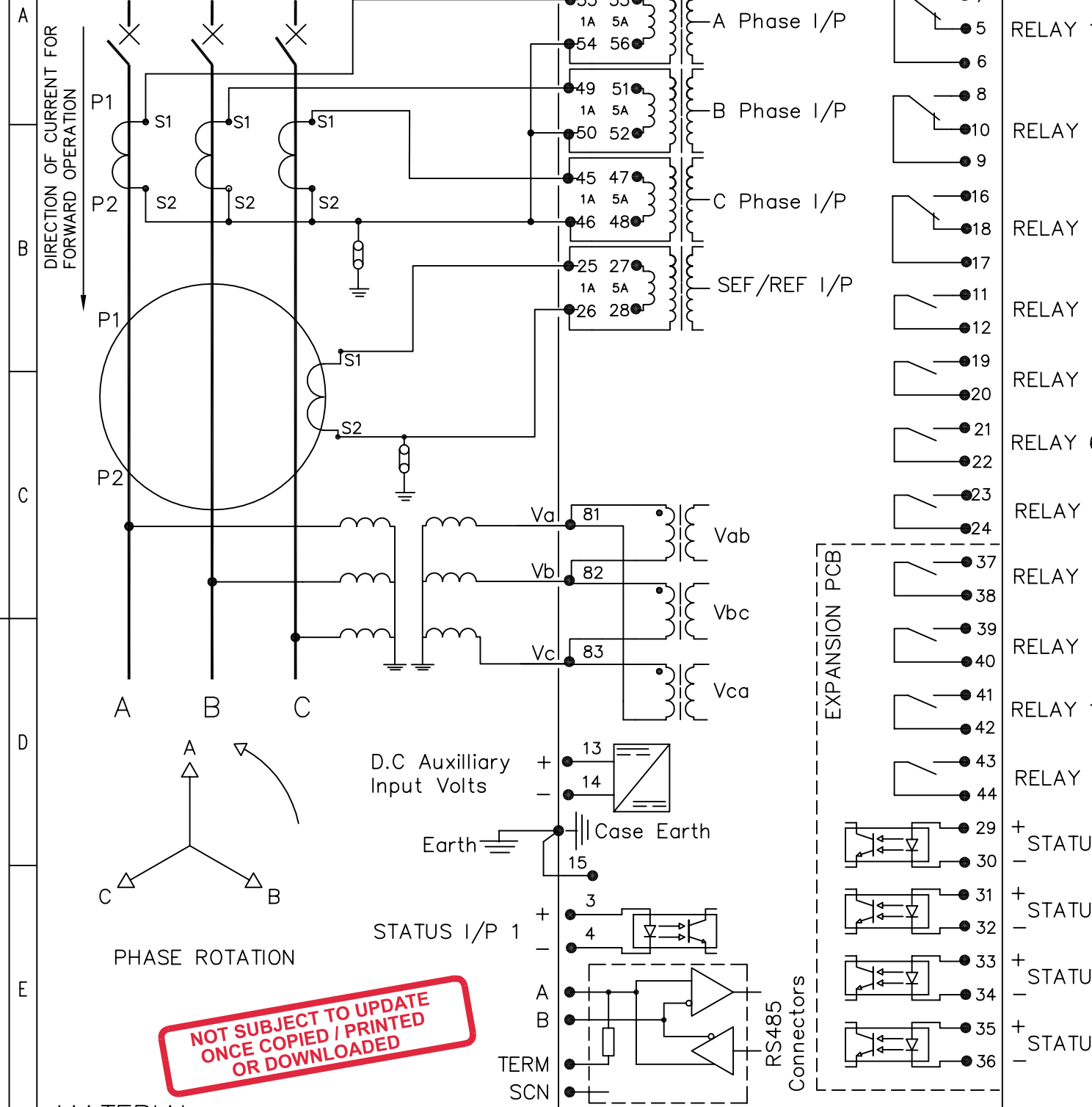


IF IN DOUBT ASK
DO NOT SCALE

BUSBARS



NOTES

1. CT CIRCUITS ARE SHOWN CONNECTED TO RELAY 1 AMP TAP. USE ALTERNATIVE TAP FOR 5AMP RATED CTs.
2. CT & EARTH CONNECTIONS ARE TYPICAL ONLY.
3. METROSIL & SETTING RESISTORS ARE REQUIRED FOR HIGH IMPEDANCE & RESTRICTED EARTH FAULT APPLICATIONS.
4. FOR TERMINAL DIAGRAM SEE 2434W50010 (A2).
5. DRG SHOWS OPTION B (11 OUTPUTS, 5 INPUTS).

MATERIAL:

Dimensions in millimetres : Surface texture in micrometres.
Machine where marked ✓
For explanation of dimensions, tolerances, notes etc. see B.S.308.
Limit on untoleranced unmachined dimensions ± _____
Limits on untoleranced machined dimensions to B.S.4500;
i.e. up to 6±0.1; over 30 to 120±0.3; over 315±0.8;
over 6 to 30±0.2; over 120 to 315±0.5;
General unmachined angular tolerance ± _____

Finish:

Title:
TYPICAL SCHEMATIC DIAGRAM 3PH(DIR)+SEF/REF E8 110/P+5I/P
RS485 ARGUS 2 NUMERIC OVERCURRENT PROTECTION

First used on:

Similar Articles: 2434W10073

Supersedes:

Treatment:

SIEMENS PROTECTION DEVICES LTD.

Original Scale.

NTS

Dr. No.

2434W10129

1	12/02/07	CHANGE NOTED	△
ISSUE	DATE	NOTED	